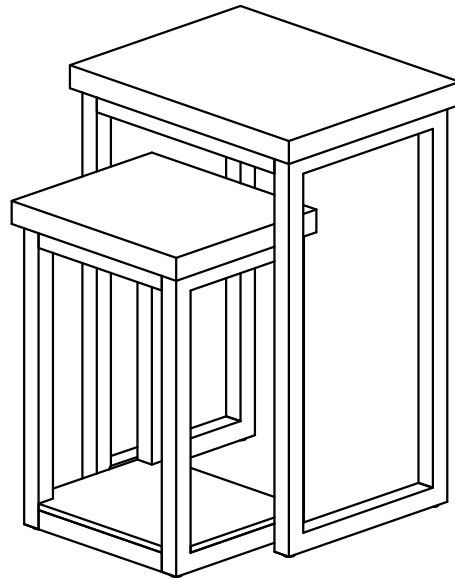


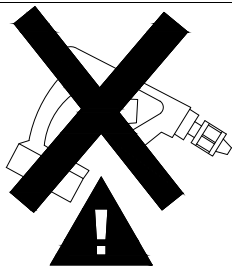
ASSEMBLY INSTRUCTION

NESTING END TABLE

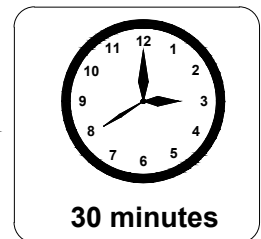
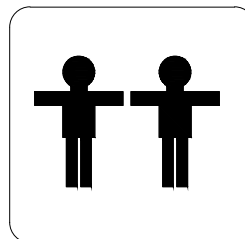


REPLACEMENT PARTS

Please do not contact the company purchased from as we can help you faster.
Order replacement parts and hardware at "www.alaterrefurniture.com"

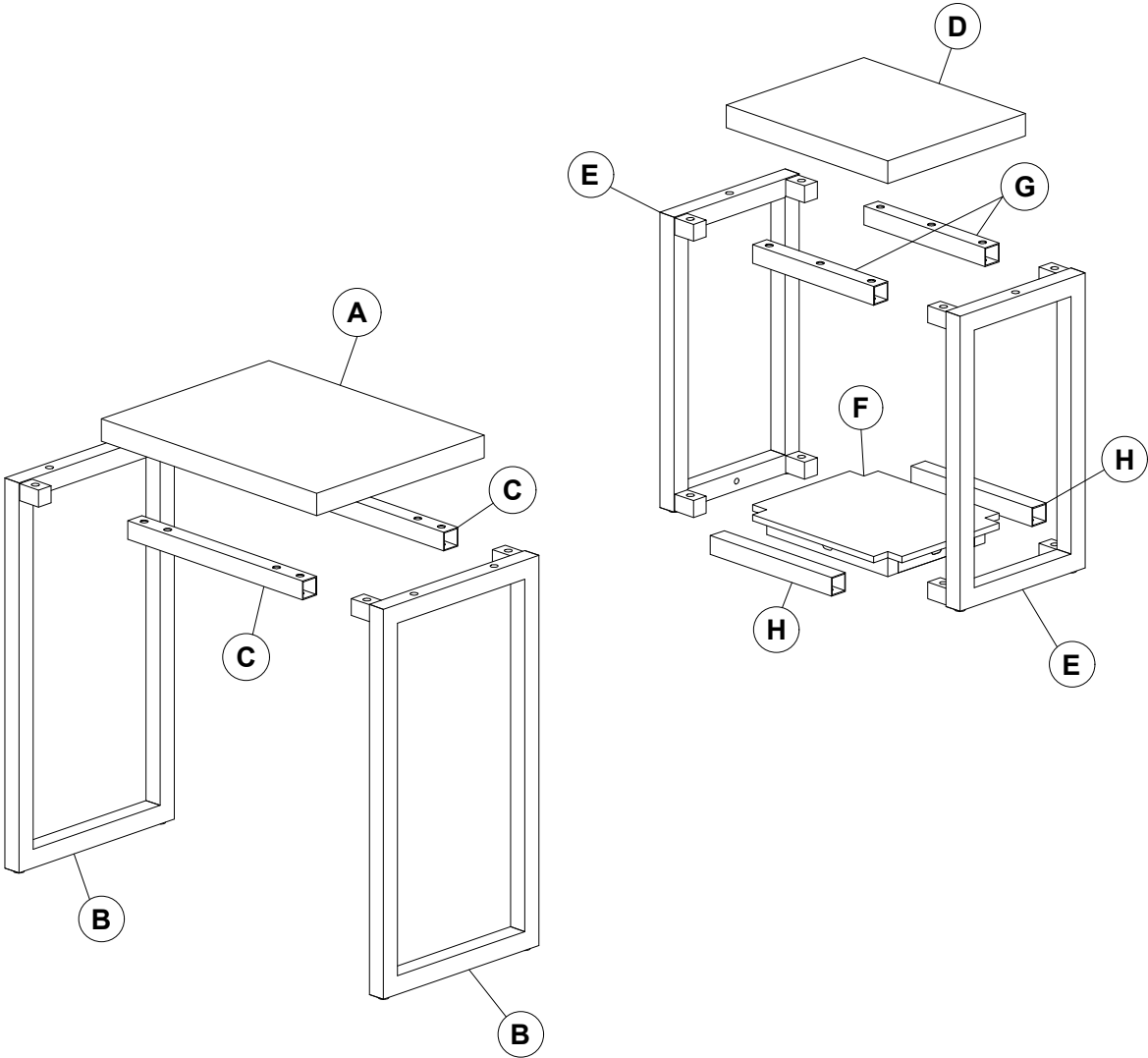


. Use of power tool to assemble this product will invalidate any claim and damage this product making it unsafe !!!
. Please assemble on a clean soft surface to avoid damage.



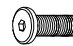
www.alaterrefurniture.com

Part list-Claremont Nesting End Table

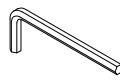


Identifying the hardware-Identify the hardware using the illustrations below

I  **12**
M6x15MM BOLT

J  **04**
M6x35MM BOLT

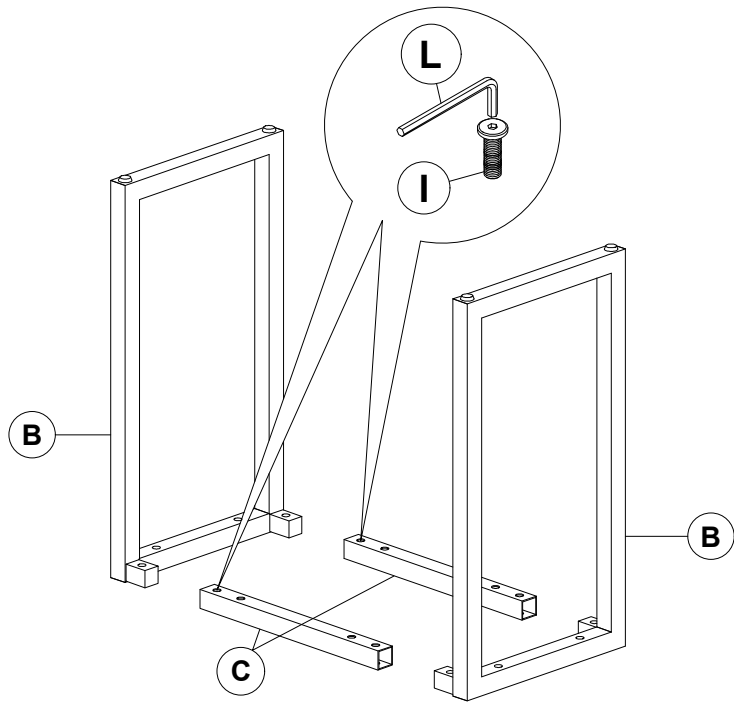
K  **12**
M6x45MM BOLT

L  **01**

Step 01

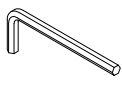
I  **04**
M6x15MM BOLT

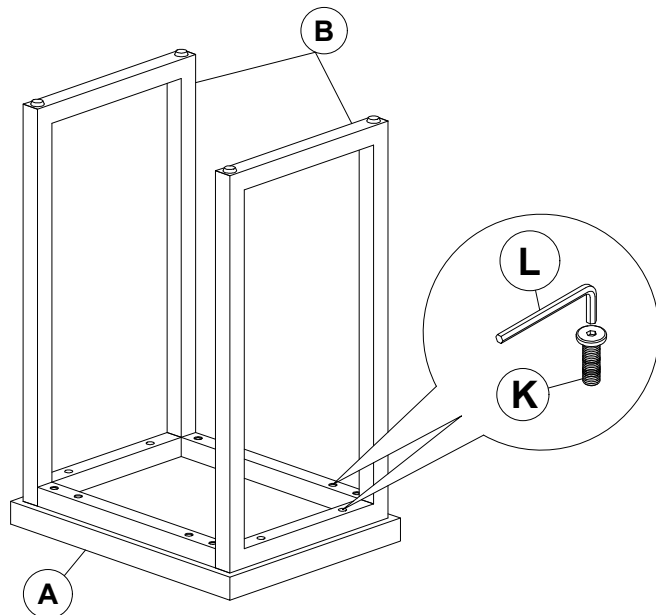
L  **01**



Step 02


K  **08**
M6x45MM BOLT

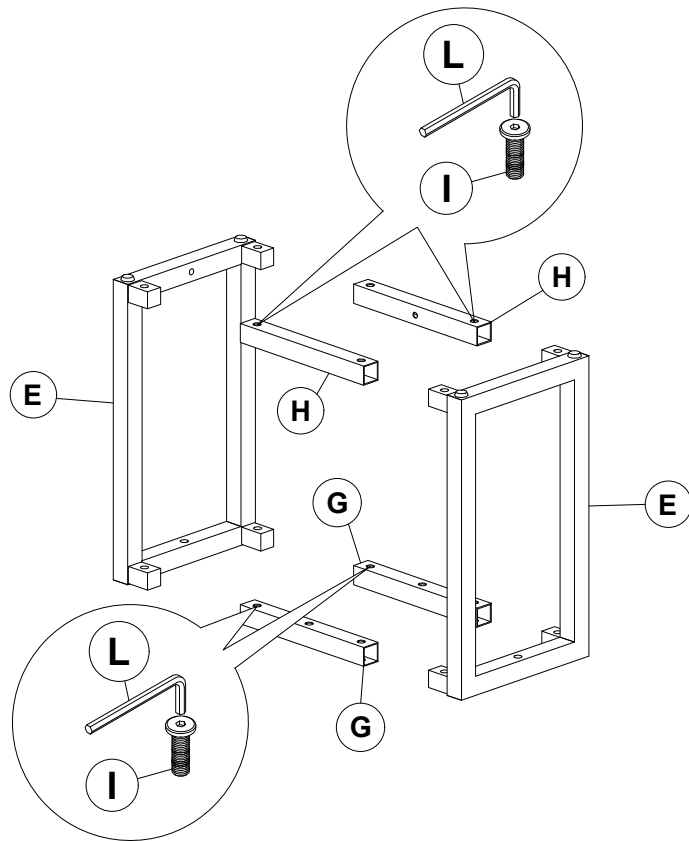
L  **01**



Step 03

I  **08**
M6x15MM BOLT

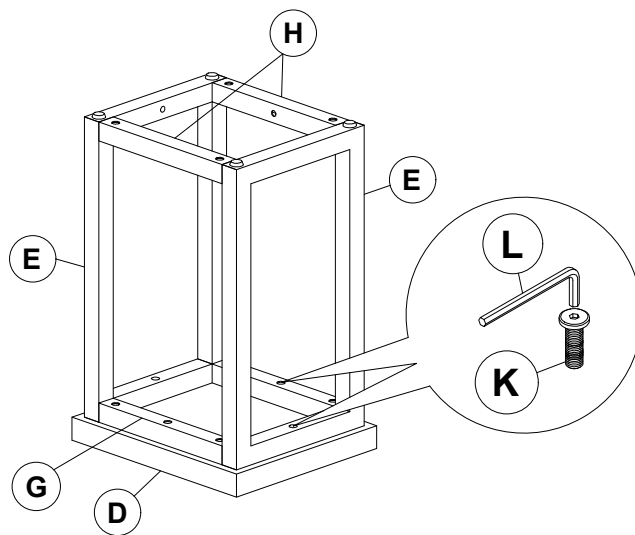
L  **01**



Step 04

K  **04**
M6x45MM BOLT

L  **01**



Step 01

J

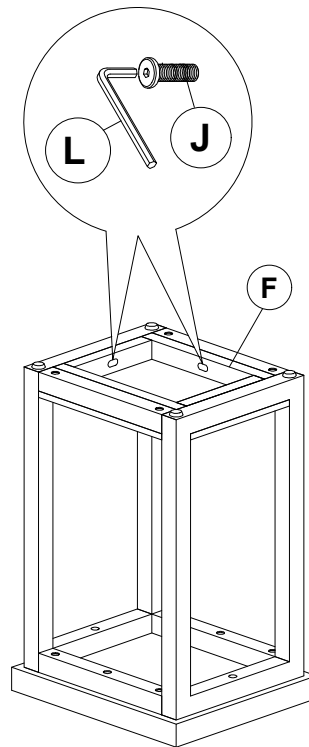

M6x35MM BOLT

04

L



01



www.alaterrefurniture.com